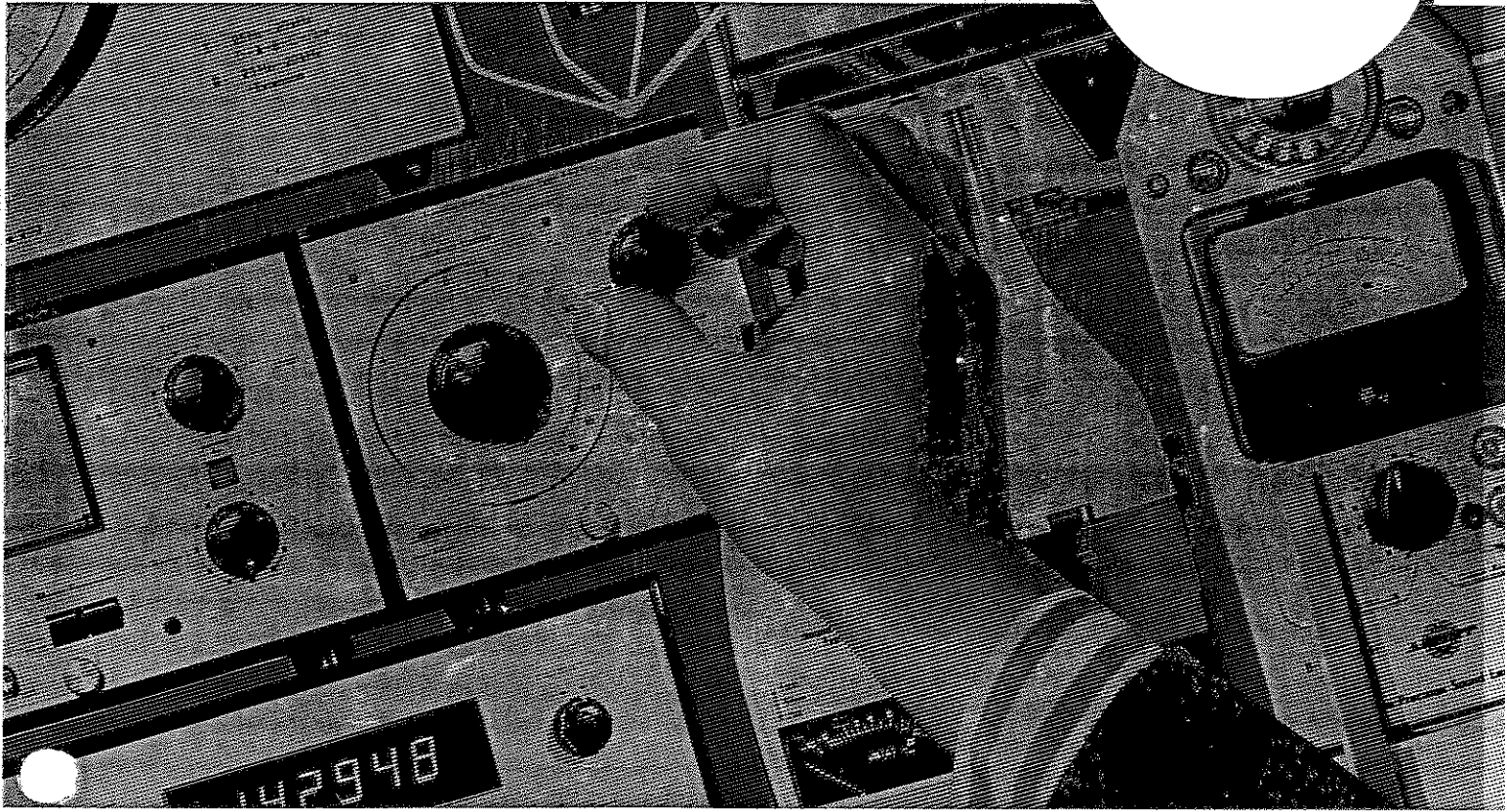
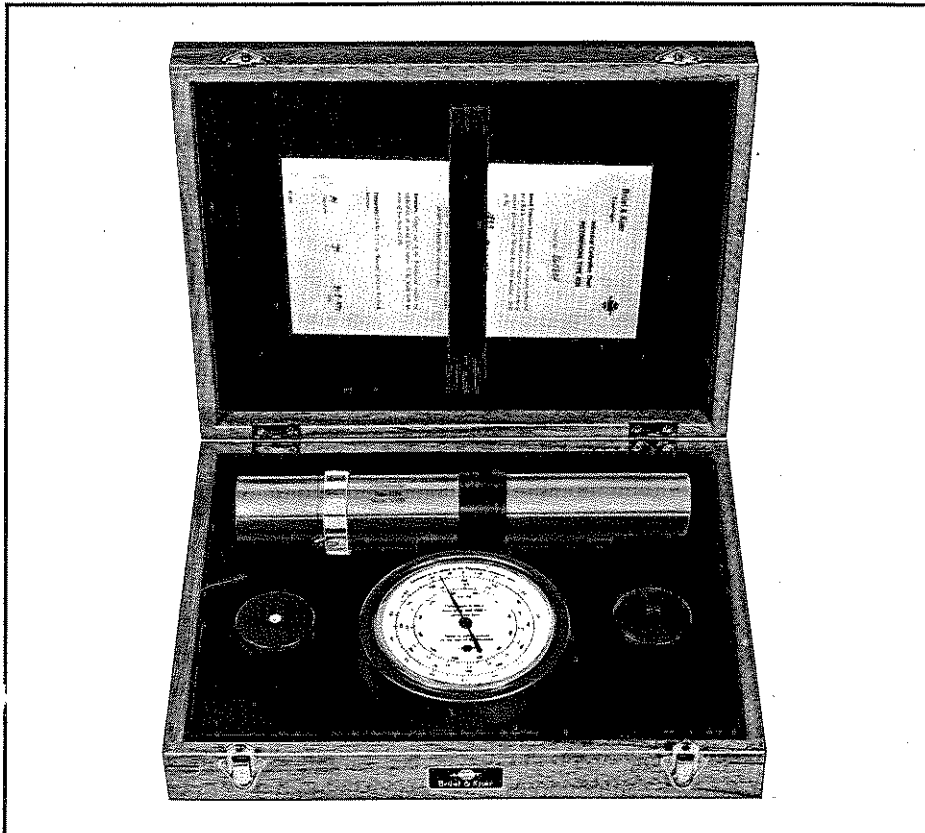


Instruction Manual

4220



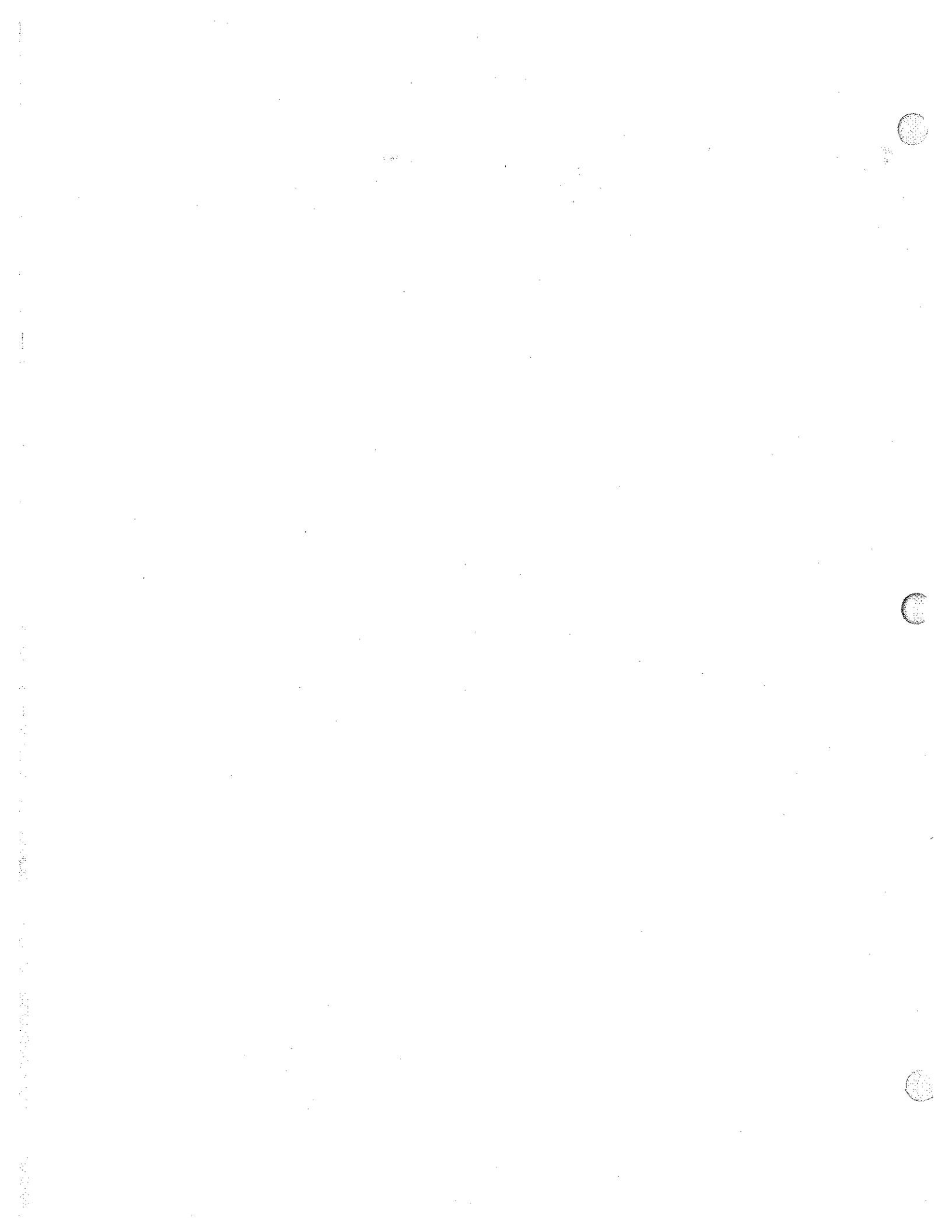
Pistonphone Type 4220



The Pistonphone is a compact battery-operated precision sound source, designed to enable quick and accurate overall calibration of sound measuring equipments. It produces a sound pressure level of 124 dB at a frequency of 250 Hz.

033-0278

 **Brüel & Kjær**



**PISTONPHONE
TYPE 4220**

Applicable to instruments from serial
No. 501397

Revision April 1977



CONTENTS

| | |
|---|----|
| 1. INTRODUCTION AND SPECIFICATIONS (PRODUCT DATA) | 1 |
| 2. OPERATION | 3 |
| 2.1. GENERAL | 3 |
| 2.2. BAROMETER UZ 0001 FOR AMBIENT PRESSURE CORRECTIONS | 3 |
| 2.3. CORRECTION FOR CAVITY VOLUME | 5 |
| 2.4. USE OF AN EXTERNAL POWER SUPPLY | 6 |
| 3. CHARACTERISTICS | 8 |
| 3.1. PRINCIPLE OF OPERATION | 8 |
| 3.2. PISTONS, NON-LINEAR DISTORTION | 10 |
| 3.3. COUPLERS AND ADAPTORS | 10 |
| 3.4. MOTOR AND FREQUENCY REGULATOR | 11 |
| Control Switch | 12 |
| 3.5. BATTERIES | 12 |
| 4. MAINTENANCE | 14 |
| 4.1. DISMANTLING THE 4220 | 14 |



type 4220

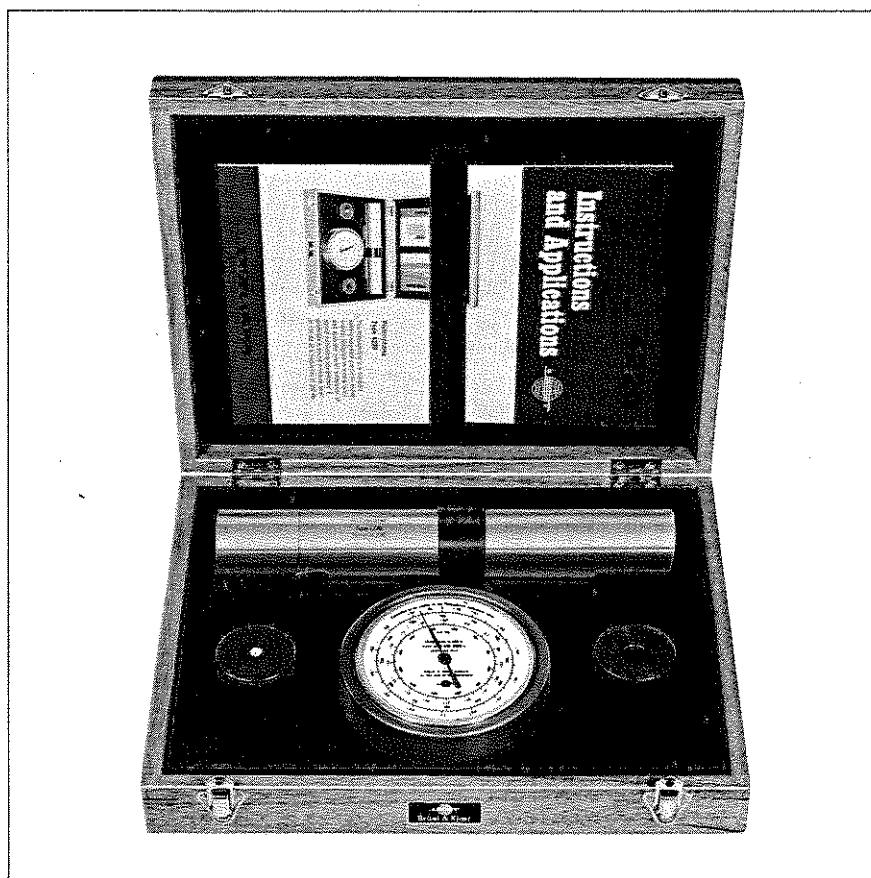
Pistonphone for Acoustic Calibration

FEATURES:

- Well defined sound source
- High calibration level, 124 dB SPL at microphone diaphragm
- Accurate calibration within $\pm 0,2$ dB
- Transistorized frequency control
- Individually calibrated
- Battery operated
- Fits 1", 1/2", 1/4" and 1/8" microphones

USES:

- Direct calibration of sound measuring equipment
- Field and laboratory use



The Pistonphone Type 4220 is a small, battery operated, high level precision sound source, which provides quick and accurate direct calibration of sound measuring equipment, tape recordings of sound etc. with an error of less than $\pm 0,2$ dB. It is always ready for use and can be utilized in the field under severe environmental conditions while still maintaining high accuracy. It is also extremely useful as a laboratory standard sound pressure level. The Pistonphone fulfills the recommendations of the IEC on the calibration of precision sound level meters. The

calibration frequency, which is 250 Hz with the self-contained batteries, is controlled within $\pm 1\%$ by means of a transistor circuit. The piston arrangement, an original B & K design, consists of two pistons moving in opposite direction and ensures maximum stability and low non-linear distortion (see Fig. 1).

The operation procedure is simple: Fit the microphone into the coupler of the Pistonphone and push the control switch to the "On" position and the Pistonphone will now produce a constant sound pressure level

on the diaphragm of the microphone. The Pistonphone can be held in one hand in any position, while with the free hand the sensitivity of the sound measuring equipment is adjusted until a reading corresponding to the sound pressure level produced is obtained.

The Pistonphone fits the B & K 1", 1/2", 1/4" and 1/8" microphones and microphones having the same standard diameter, such as the types WE 640 AA, MR 103, etc. Fig. 2 shows its use with 1" and 1/2" microphones. The Pistonphone can

also be adapted to other types of microphones by means of special adaptors. The sound level produced by the Pistonphone, when fitted to a B & K microphone is $124 \pm 0,2$ dB re 2×10^{-5} Pa. This high level allows correct calibration to be made even in very noisy surroundings. Each pistonphone is individually calibrated at normal atmospheric pressure. A barometer supplied with the Pistonphone gives the ambient pressure correction in dB, in the range 790 to 1060 mbar.

The Pistonphone is delivered with alkaline batteries, IEC LR 6 (QB 0013), mounted in a battery container DH 0236 (Fig.3), which en-

ables very easy battery replacement. Fitted with alkaline batteries, the 4220 operates in the temperature range -10 to $+55^{\circ}\text{C}$ (14 to 140°F). The batteries can be checked by pushing the control switch of the Pistonphone to the "Batt." position where the frequency should be higher than in the "On" position (approximately 320 Hz with new batteries).

The operating frequency of the Pistonphone can be varied from less than 30 Hz to maximum 320 Hz by using an appropriate external DC power supply. (In the range 30 Hz to 320 Hz the sound level is independent of the frequency).

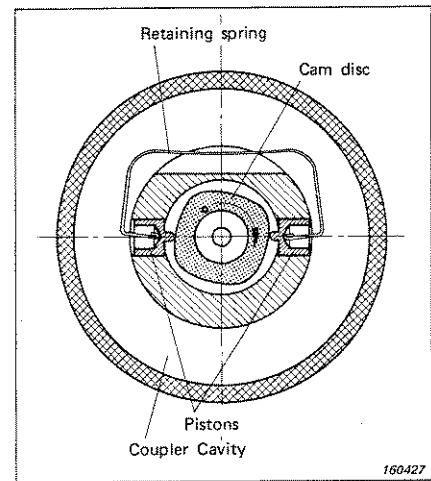


Fig.1. Cross sectional view showing the principle of operation

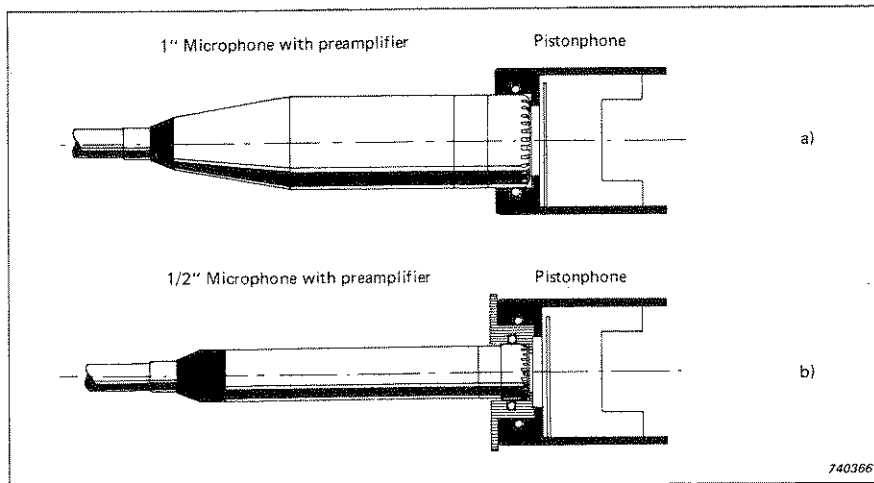


Fig.2. Mounting B & K microphones on the Pistonphone
a) 1" microphone
b) 1/2" microphone. The total volume of the cavity is the same in both cases

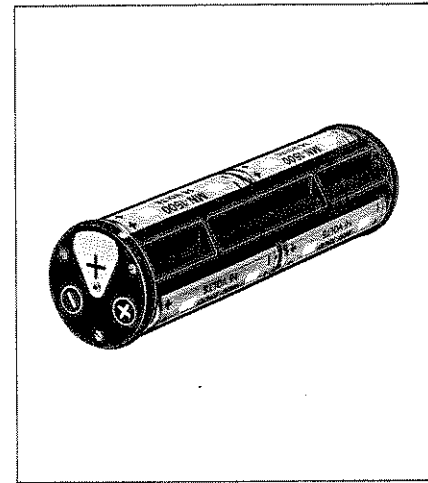


Fig.3. Battery container DH 0236 fitted with 6 batteries

Specifications 4220

| | | |
|---|---|---|
| <p>Frequency: Pos. "On": $250 \text{ Hz} \pm 1\%$ Pos. "Batt.": Approximately 320 Hz (with new batteries)</p> <p>Sound Pressure Level: $124 \text{ dB re } 2 \times 10^{-5} \text{ Pa}$ (individually calibrated)</p> <p>Accuracy: $\pm 0,2 \text{ dB}$</p> <p>Distortion: $< 3\%$ at 250 Hz</p> | <p>Temperature Range: Pistonphone: -10 to 55°C (-14 to 140°F)</p> <p>Humidity: Relative humidities of up to 100% will not influence the calibration</p> <p>Batteries: 6 alkaline batteries IEC LR 6 (QB 0013) or 6 dry-cell batteries IEC LR 6</p> <p>Dimensions: Length: 224 mm (8,7 in) Diameter: 36 mm (1,4 in)</p> | <p>Weight: Pistonphone with batteries: 0,7 kg (1,5 lb) Total weight of case containing pistonphone, adaptors, and barometer: 1,6 kg (3,5 lb)</p> <p>Accessories included: 6 alkaline batteries, IEC R 6 size AA, QB 0013 1 Battery container DH 0236 1 Adaptor for 1/2" microphones DB 0311 1 Adaptor for 1/4" microphones DB 0310 1 Adaptor for 1/8" microphones DB 0352 1 Barometer UZ 0001</p> |
|---|---|---|

2. OPERATION

2.1. GENERAL

After the sound measuring equipment under test has been warmed up and made ready for use in the 120 — 130 dB range and with "linear" or "C" weighted frequency response, operation of the Pistonphone is as follows:

1. Fit the required microphone adaptor to the Pistonphone.
2. Start the Pistonphone and check the batteries by pushing the switch backwards and forwards between the positions "On" and "Batt.". As long as a clear frequency difference can be heard, the batteries are in good condition and the Pistonphone will operate within specifications.
3. Stop the Pistonphone.
4. Fit the microphone to the microphone adaptor. The Pistonphone can be held in one hand in any orientation*, provided that the microphone is properly seated in the adaptor so that errors due to inaccurate coupler volume are eliminated.
5. Start the Pistonphone, setting the switch "On".
6. Adjust the sensitivity of the sound measuring equipment until the indication coincides with the SPL (RMS Sound Pressure Level) given by the calibration card supplied with the Pistonphone plus the dB correction for ambient pressure as indicated by the Barometer UZ 0001, or Fig.2.2. Use of the Barometer is explained in section 2.2.
7. Stop the Pistonphone as soon as the calibration has taken place in order to preserve the batteries.

2.2. BAROMETER UZ 0001 FOR AMBIENT PRESSURE CORRECTIONS

The sound pressure output given on the calibration chart supplied with the 4220 is given for normal atmospheric pressure conditions ($P_o = 1013$ mbar). For large changes in ambient pressure (due to altitude changes, for example) a correction must be made. A barometer (part number UZ 0001) graduated both in dB of correction and millibar, is supplied with the 4220 for this purpose. The barometer range is from 790 to 1050 mbar and is calibrated with two 360° geometric scales, the outer in dB of correction, the inner in millibar (Fig.2.1).

The outer scale, graduated from 890 to 1050 mbar, indicates the amount of dB correction for the usual barometric variations at altitudes up to 600 m (1800 ft approximately)

* A slight variation in the noise produced by the motor can be noticed when holding the Pistonphone in different positions. This has no relation to the frequency and the SPL produced

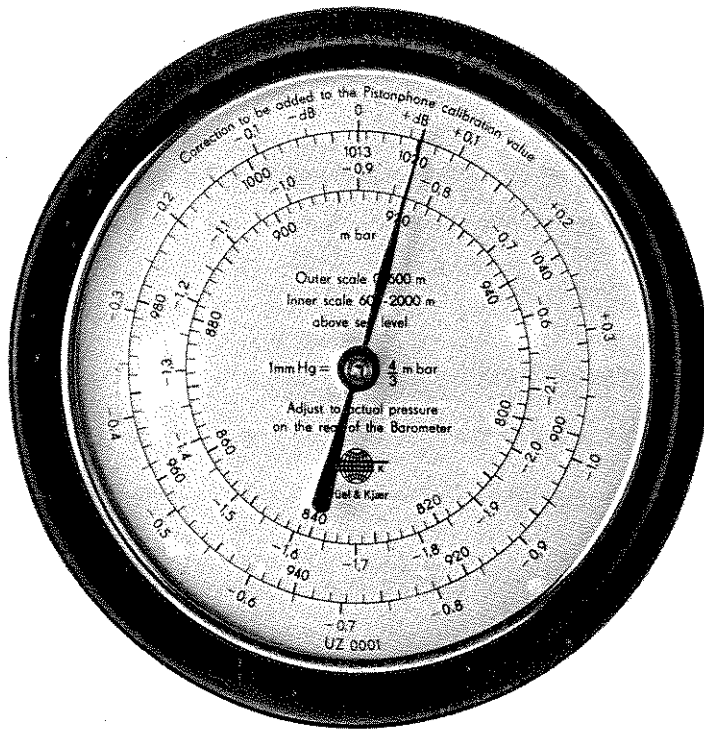


Fig.2.1. Barometer UZ 0001

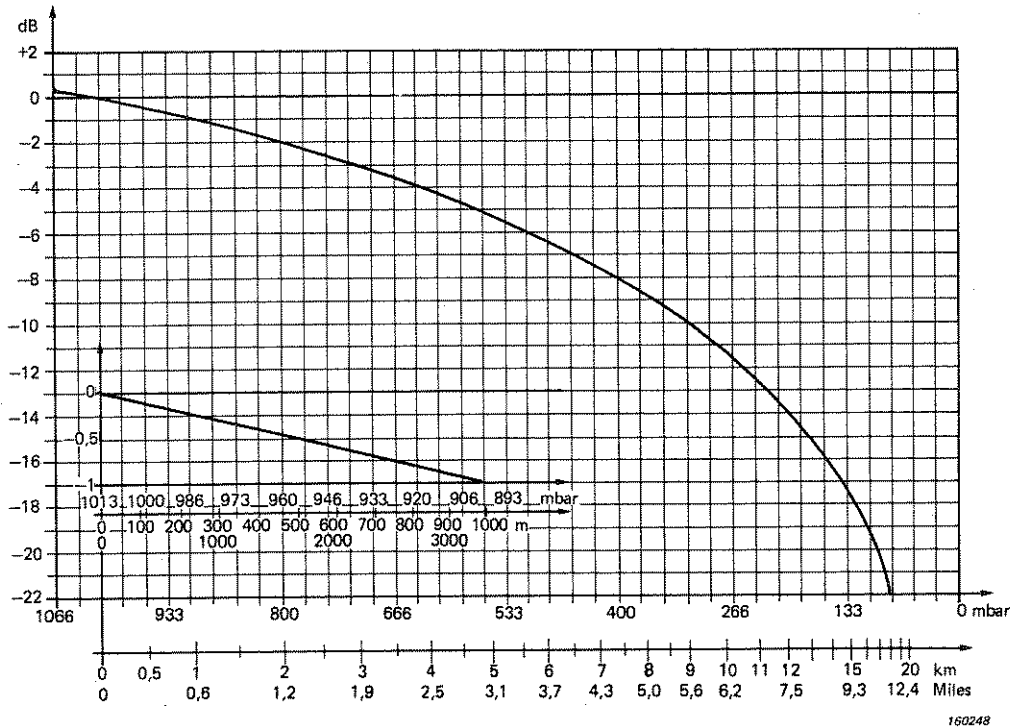


Fig.2.2. Correction curve for operation at low pressures or high altitudes

above sea level. The inner scale, graduated from 790 to 950 mbar is intended to be used at altitudes from 600 to 2000 m (1800 to 6000 ft approximately). For variation of the ambient pressure above 2000 m and up to 18000 m i. e. down to 80 mbar, the correction curve given in Fig.2.2 can be used.

$$1 \text{ mm Hg} \cong 4/3 \text{ mbar} = 0,0394 \text{ inches of mercury} = 1 \text{ Torr.} = 0,001359 \text{ kg/cm}^2$$

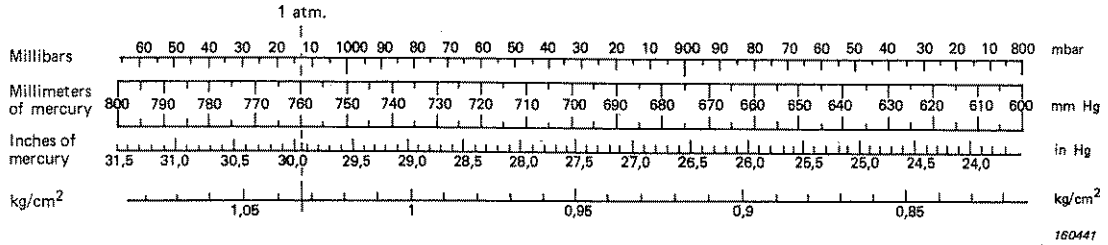


Fig.2.3. Conversion chart of barometer readings in different units

A conversion chart giving the equivalence between the pressure expressed in different units is shown Fig.2.3.

From time to time, and especially after transportation or a large change in altitude, it is recommended that the calibration of the barometer be checked. The pointer of the barometer can be adjusted by means of a screw at the rear of the barometer. Suitable references are provided by a laboratory mercury barometer, or by a local meteorological station or airport.

2.3. CORRECTION FOR CAVITY VOLUME

A further correction to the sound pressure output of the Pistonphone is required if the total volume of the coupler cavity differs from the standard case of a B & K microphone with standard protection grid. The adaptors supplied with the Pistophone convert the smaller B & K microphones fitted with their normal protection grids to the correct coupler volume so that no additional volume correction is required.

From equation 3.3 (section 3.1), the volume correction can be derived as:

$$\Delta P = 20 \log_{10} \frac{V}{V + \Delta V} \text{ dB}$$

where ΔP is the pressure increment to be added to the value given on the calibration chart when the coupler volume exceeds the standard volume V ($= 19,6 \text{ cm}^3$) by an amount ΔV .

The volume V of the standard coupler includes a component due to the "front volume" of the microphone cartridge (microphone equivalent volume plus the air volume contained between the diaphragm and the outside of the protecting grid). The volume for a 1 inch microphone is $1,33 \text{ cm}^3$. The actual volume of the coupler is therefore $19,6 - 1,33 = 18,27 \text{ cm}^3$.

The effect of changing the coupler volume is best illustrated by an example. Take the case of a Pistonphone calibrated to $123,9 \text{ dB}$ with the standard coupler volume of $19,6 \text{ cm}^3$. The barometric pressure is such that a correction of $-0,2 \text{ dB}$ and the Pistonphone is used to calibrate a one-inch B & K Condenser Microphone Type 4160. The 4160 is a specially developed pressure microphone intended for coupler measurements such as reciprocity calibration and as a laboratory standard. The 4160 features the normalized front cavity for coupler measurements, and without the protecting grid the sum of the front volume and microphone equivalent volume is $0,670 \text{ cm}^3$ (nominal). The total coupler volume of the pistonphone is therefore $18,94 \text{ cm}^3$. The sound pressure level (SPL) produced in the coupler will be:

$$\text{SPL} = 123,9 - 0,2 + 20 \log \frac{19,6}{18,94} = 123,9 - 0,2 + 0,3 = 124 \text{ dB re } 20 \mu\text{Pa}$$

For the 4160 fitted with protection grid, the correction is + 0,42 dB.

2.4. USE OF AN EXTERNAL POWER SUPPLY

The 4220 is normally used at its controlled frequency of 250 Hz. However, in certain instances, it may be used to check the frequency response of a sound measuring system between 30 Hz and 320 Hz. At 30 Hz, the sound pressure level in the coupler is less than 0,5 dB below the level at 250 Hz.

The frequency can be varied from 320 Hz to 30 Hz, using an external variable voltage power supply. The speed of rotation is stabilized to give 320 Hz or 250 Hz, for a power supply of between 9 and 6 V DC, for the switch positions "Batt." and "On" respectively.

The positive pole of the external power supply should be connected to the case of the 4220 and the negative pole to the central pin of the back cover, marked "-". The battery compartment must be removed (see Fig. 2.4).

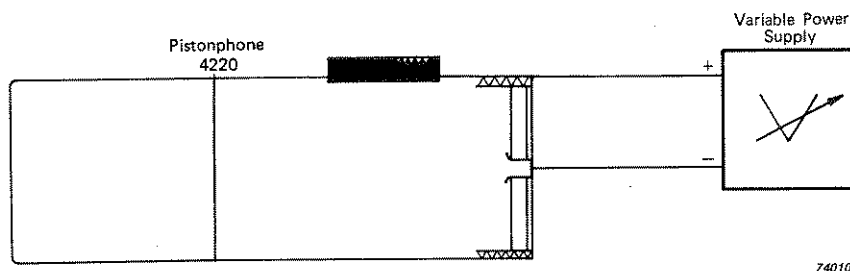


Fig. 2.4. Connection of an external variable power supply

With the positive pole connected to the 4220 case, care should be taken when using a symmetrical power supply to ensure that no short circuit can occur between the 4220 and the rest of the sound measurement system, where generally the negative pole (ground) is connected to the housings and to the microphone body.

When the control switch is set to "Batt.", the upper limit of the motor's rotational speed is obtained with a voltage of 6 V DC (and up to 9 V) giving a frequency of 320 Hz. A 2 V supply will give a frequency of about 30 Hz, and the voltage/frequency relationship is given by Fig. 2.5. The initial voltage applied to start the Pistonphone should never be less than 6 V, which should be gradually reduced until the required frequency is obtained.

The lower frequency limit is imposed by the leakage time constant of the coupler cavity, and is less than -0,5 dB at 30 Hz even if no special precautions are taken to improve the fit. Between the limits of 30 Hz and 320 Hz the SPL produced by the 4220 is constant and independent of frequency.

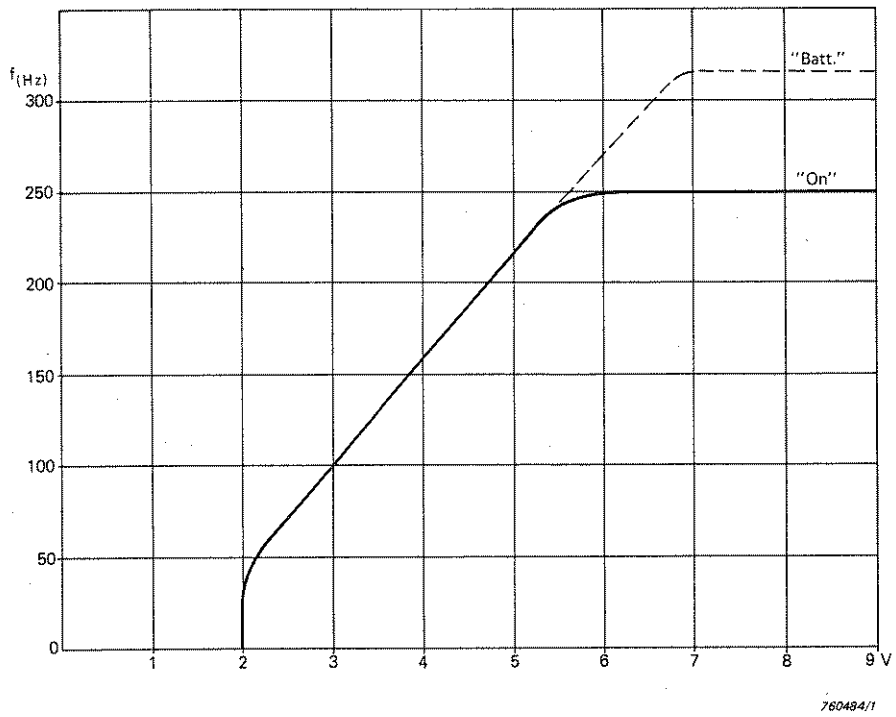


Fig. 2.5. Voltage-to-frequency relationship with an external variable power supply

3. CHARACTERISTICS

3.1. PRINCIPLE OF OPERATION

The principle of operation of the Pistonphone Type 4220 is shown in Figs.3.1 and 3.2. The two pistons are symmetrically driven by means of a cam disc, mounted on the shaft of a miniature electric motor. The cam, which is made of tempered steel, is machined to a high degree of accuracy. The theoretical law to be followed, illustrated in Fig.3.2, is:

$$r = a + b \sin 4\alpha \quad (3.1)$$

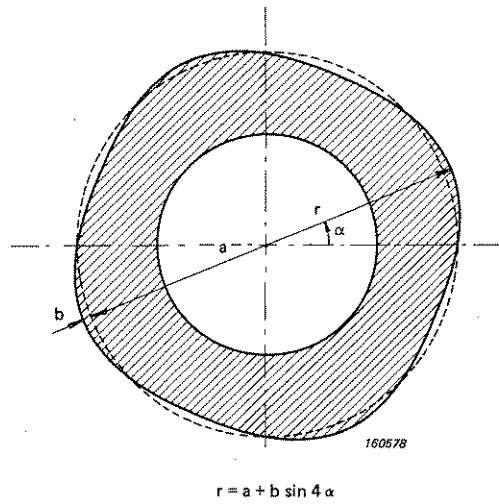
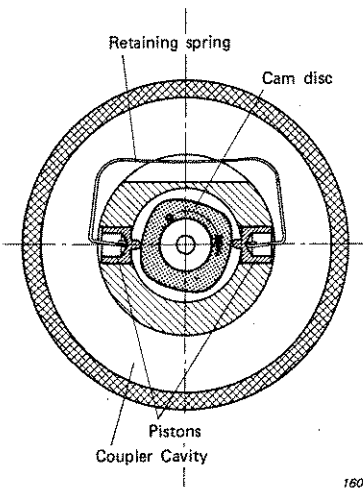


Fig.3.1. Cross-section showing the principle of operation

Fig.3.2. Sketch of a sinusoidal-shaped cam

However, equation 3.1 assumes that the piston tip ensures point contact with the cam. This is not the case in practice, as illustrated in Fig.3.3.

The contact point between the piston and the cam varies relative to the piston axis. This would result in second harmonic distortion. Therefore, the law of equation 3.1. has been corrected to compensate for this distortion:

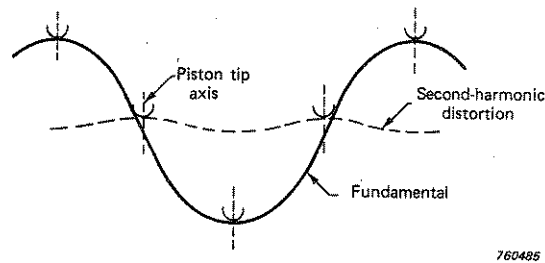


Fig.3.3. Second-harmonic distortion when cam shape follows Eqn. 3.1

$$r = a + b \sin 4\alpha + c \sin 8\alpha \quad (3.2)$$

When rotating, the cam will give the pistons a sinusoidal movement at a frequency equal to four times the speed of rotation. Consequently the cavity volume is varied sinusoidally and the RMS sound pressure produced will be:

$$P = \gamma P_0 \frac{2 A_p S}{V \sqrt{2}} \quad (3.3)$$

where:

$\gamma = C_p/C_v =$ ratio of specific heats for the gas in the cavity ($\gamma = 1,402$ for air at 20°C and 1 atm.)

$P_0 =$ atmospheric pressure, expressed in Pa

$A_p =$ area of one of the pistons (m²)

$S =$ peak amplitude of motion of one piston from the mean position (m)

$V =$ volume of cavity with the pistons in mean position + the equivalent volume of the microphone (m³)

The sound pressure level in dB is consequently:

$$\text{SPL} = 20 \log_{10} \frac{P}{P_t}$$

where $P_t = 20 \mu\text{Pa}$ (threshold of hearing).

It is assumed in the above equation that $A_p \times S \ll V$, and that compression is adiabatic. These conditions are satisfied entirely in the case of the Pistonphone Type 4220, where $A_p \times S/V \cong 0,0002$, and where the heat conduction correction would be approximately 0,24 dB at 30 Hz, and approximately 0,08 dB at 250 Hz.

It is possible to define with great precision the different quantities involved in equation 3.3. The piston stroke S is one quarter of the difference between the maximum and the minimum diameters of the cam. Accurate measurement of this difference, though relatively small, offers no problem by using a precision micrometer. In addition, as the pistons are symmetrically located with respect to the cam, any mechanical deviation due to the mounting or to a wobbling of the motor is compensated in the total movement of the pistons, and has no influence of the SPL produced.

The frontal surface A_p of the pistons and the volume V of the cavity are also easy to measure accurately, and as the diameter of the pistons is great relative to the stroke the influence of the space between the pistons and the walls is negligible. (The tightness of the pistons is satisfactory, without any lubricating material, down to about 30 Hz). Finally a possible error in the ambient pressure P_0 is far below the required limit, as ten degrees on the scale of Barometer (UZ 0001) correspond to 0,4 dB. These features make it possible to calculate the SPL produced by the Pistonphone Type 4220 at the standard frequency of 250 Hz to within less than $\pm 0,2$ dB ($\pm 2\%$).

3.2. PISTONS, NON-LINEAR DISTORTION

The design of the piston drive in the Pistonphone 4220 provides very low distortion. Distortion is produced, not by imperfection of the specially shaped cam, which can be considered as a rather perfect sinusoidal shape, but by the wear of the piston tips sliding on the cam. If no special care has been taken, the tips can become worn on one side, and in due course this slightly distorts the movement of the pistons. The distortion is mainly caused by the second harmonic frequency.

The pistons are made of a special synthetic material, presenting a particularly low friction coefficient with steel. The cam and pistons are lubricated with high quality oil on assembly. The tension of the retaining spring is also carefully adjusted to maintain even contact of the piston tips on the cam, but without excessive pressure. These precautions maintain the distortion of the Pistonphone below 3% at 250 Hz. The frequency spectrum of the signal produced by the Pistonphone is shown in Fig. 3.4.

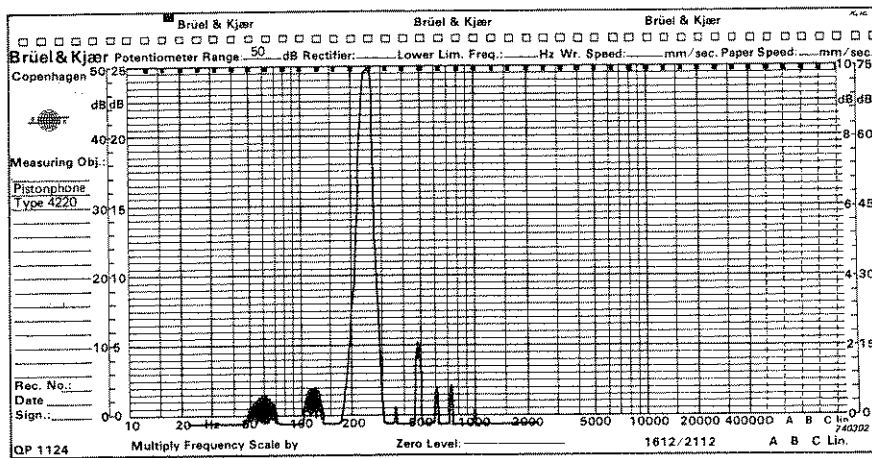


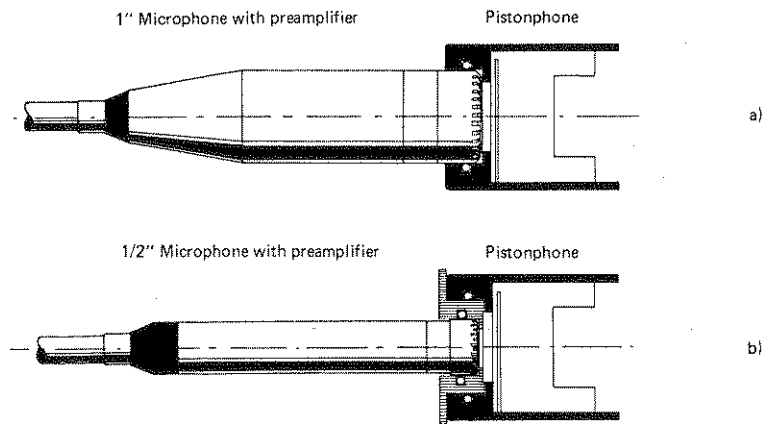
Fig. 3.4. Typical frequency spectrum of the 4220

3.3. COUPLERS AND ADAPTORS

The coupler cavity of the Pistonphone 4220 has been designed with dimensions which are small with respect to the wavelength of the sound in the frequency range involved. The coupler has an opening diameter of 23,8 mm, fitting microphones with a standard diameter of 0,936 inch (as specified in ANSI S1. 12-1967) such as the B & K Types 4144, 4145, 4146, 4160, 4161, or the W.E. 640 AA and MR 103.

In addition, three adaptors are supplied with the Pistonphone, enabling the opening diameter to be reduced without changing the total volume of the cavity, for use with half-, quarter- and eighth-inch diameter microphones. The adaptors are easily mounted onto the Pistonphone by pressing them into the coupler opening, and into each other (see Fig. 3.5). The coupler opening and the adaptors are fitted with a rubber ring which ensures an airtight connection with the microphone under test. The coupler cavity is also fitted with a capillary tube for static pressure equalization with the atmospheric ambient pressure.

The Pistonphone can be adapted to almost any type of microphone, as a suitable adaptor can easily be made which has a smaller diameter. The use of special adaptors does not offer any other problems than those of external leakages*. However, the dimensions



740366

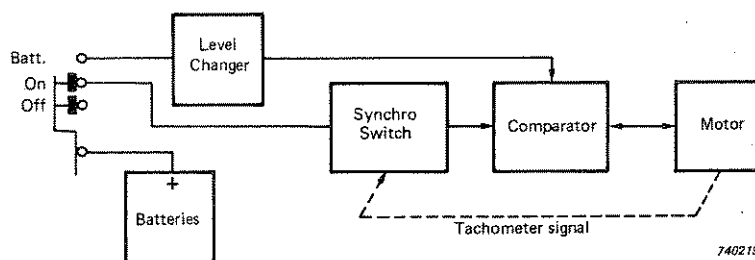
Fig. 3.5. Fitting the B & K microphones on the 4220.
 a) one-inch microphone
 b) half-inch microphone
 The total volume of the cavity is the same in both cases

should remain small in comparison with one quarter wavelength in order to avoid any disturbance due to wave motions in the cavity, ($\lambda/4$ in air is approximately 34 cm (13,4 in) at 250 Hz, and 26,5 cm (10,4 in) at 320 Hz).

From equation 3.3 it is seen that the SPL produced by the Pistonphone is inversely proportional to the volume V of the cavity. The nominal SPL of the Pistonphone corresponds to the situation where a B & K microphone with the normal protecting grid is inserted. In this case the total volume of the cavity is 19,6 cm³, including the equivalent volume of the microphone: 1,33 cm³ for B & K Types 4144, 4145, 4146, 4161. For any change in the total volume V , a corresponding correction must be made on the given SPL of the Pistonphone. See also section 2.3.

3.4. MOTOR AND FREQUENCY REGULATOR

From serial no. 501397, the 4220 is fitted with a precision speed-controlled motor. Electrical control using the motor tachometer signal frequency as feedback, ensures regulation of the speed of rotation, which gives frequency stability within 1%, (see Fig.3.6). As the frequency stability is within 1%, the amplitude errors are well within the tolerances of the international standardized weightings A and B.



740219

Fig. 3.6. Block diagram of motor control system

* When using the Pistonphone with some types of microphone, a slight and slow variation in the reading of the indicating instruments may be noted at the beginning. This is caused by slow equalization between the pressure inside these microphones and the external pressure.

Such an accurate definition is required when calibrating Sound Level Meters, since the normal weighting functions used have non-linear frequency response. The response of "A" and "B" weightings at 250 Hz is nominally 8,6 and 1,3 dB lower than the 1 kHz frequency response.

3.4.1. Control Switch

The control switch has three positions:

"On" the battery current is fed to the motor via the regulating network, maintaining a rotational speed of 3750 rpm, to give a frequency of 250 Hz.

"Batt." In this position, the comparator reference level is changed in the electronic network to give 320 Hz (4800 rpm) which will be the frequency with new batteries. As long as the batteries are usable the frequency will be between 320 and 250 Hz.

"Off" the battery current is switched off.

In the "On" position, the motor regulation operates, and a frequency of 250 Hz is obtained provided the power supply (batteries) gives between 9 and 6 V DC approximately.

By switching between the "On" and "Batt." positions, a quick check of the batteries is obtained. If no frequency increase can be heard, it is normally necessary to replace the batteries; the 4220 can still be used as the SPL is still correct, but the frequency produced may be lower than 250 Hz.

3.5. BATTERIES

The 4220 is supplied with Alkaline Manganese cells type IEC LR6 (American Standard size AA) B & K reference no. QB 0013. The battery holder contains 6 cells, giving a total voltage of 9 V ($6 \times 1,5$ V) when fully charged. These will give approximately 30 hours continuous operation.

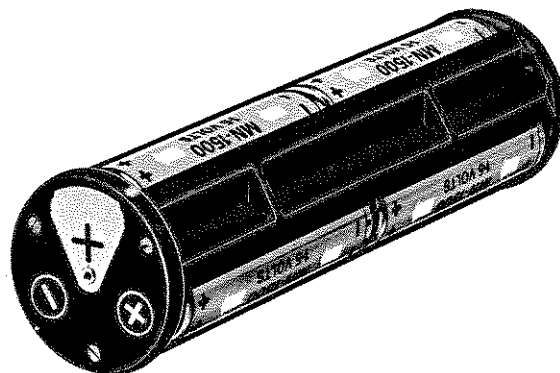


Fig.3.7. Battery holder

The LR6 Type batteries supplied with the 4220 have a storage life of 2 years at room temperature and a working temperature range of -10 to $+60^{\circ}\text{C}$.

Careful attention should be paid when mounting the batteries into the holder with respect to their polarity. If the holder is inverted when it is loaded into the Pistonphone, no damage will be caused, but the Pistonphone will not operate.

Alternatively, a set of standard batteries for transistor receivers may be used, and will give approximately 10 hours of continuous operation.

4. MAINTENANCE

4.1. DISMANTLING THE 4220

Dismantling the Pistonphone Type 4220 is strongly discouraged. If dismantling is absolutely necessary to change a spare part, proceed as follows (refer to Fig.4.1).

1. Remove the coupler by unscrewing it from the 4220 body.

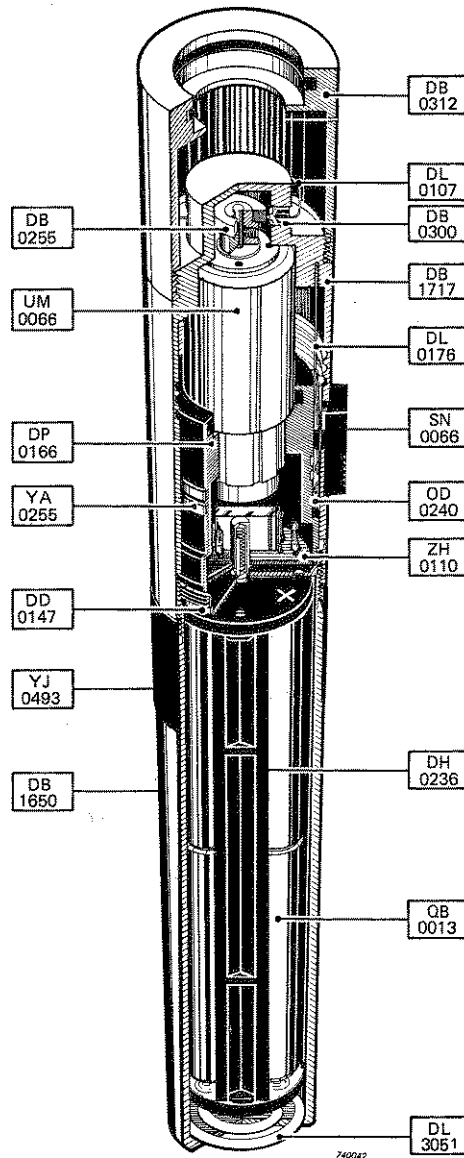


Fig.4.1. Part numbers of the 4220

2. Carefully remove the piston-retaining spring.
3. Unscrew the back cover (black) from the body of the 4220.
4. Push out the drive unit.
5. Carefully remove the two pistons.

Reassembling the 4220.

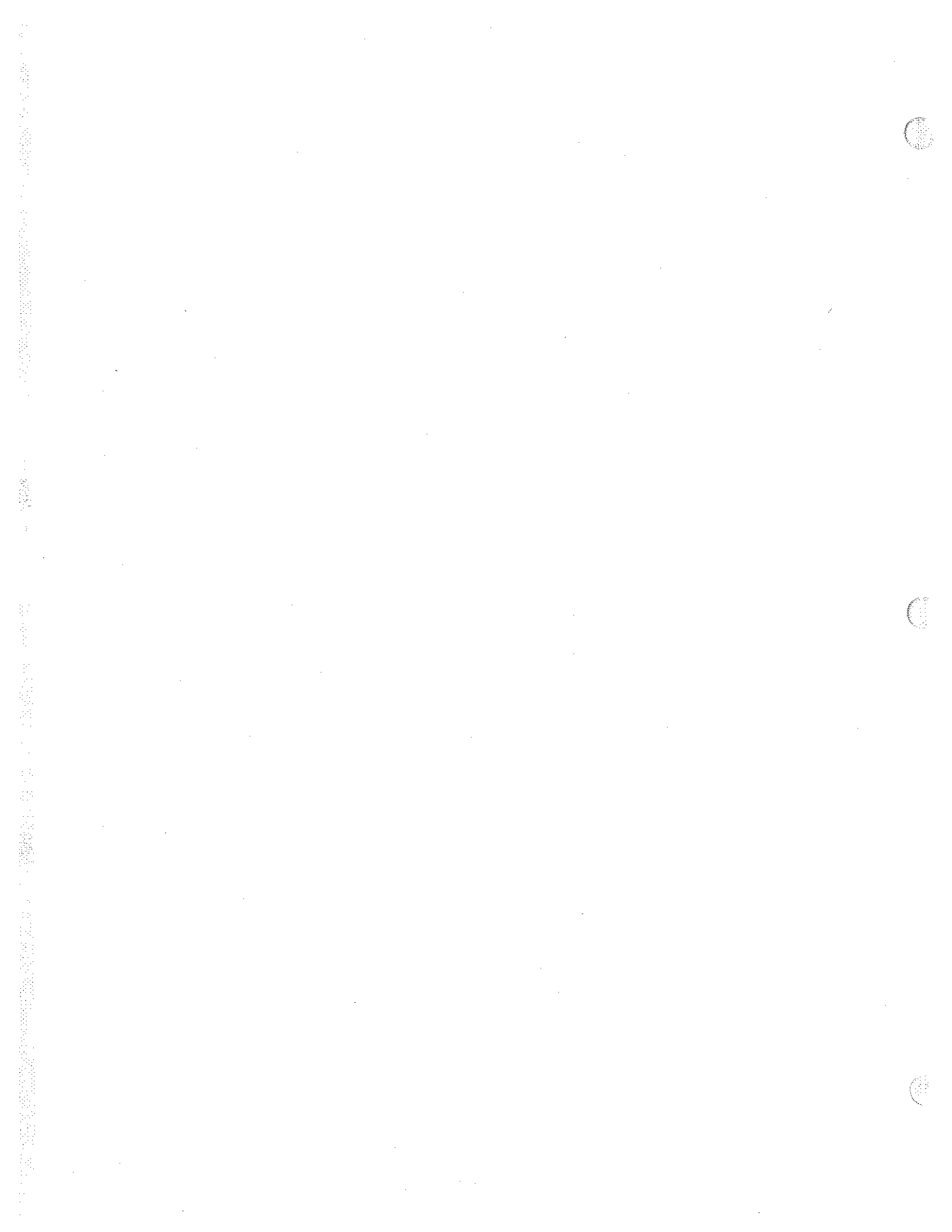
1. If necessary, the cam disc should be cleaned with a soft dry cloth.
2. Push the drive unit into the body.
3. Screw on the back cover.
4. Only if absolutely necessary, apply a minute drop of high quality oil to the cam disc (Esso "Univis" or Shell "Microtime type A Ultra Light").
5. Insert the two pistons and replace the retaining spring.
6. Screw on the coupler.

Note: The force of the retaining spring should be 20 g approximately. A lower force will cause distortion and a higher force produces excessive wear of the piston tips. Spare springs and pistons can be ordered separately (see parts diagram Fig.4.1).

Caution: Never touch the pistons while they are operating.

When assembly is complete, monitor the output waveform on an oscilloscope and check against another reference that the SPL is of the order of 124 dB. If one piston does not work, the SPL will be 118 dB.

To monitor the output waveform on an oscilloscope, a suitable microphone and preamplifier should be used. The procedure of section 2.1 should be applied except for points 5 and 6.



Trouble Shooting

If any faults should occur please check the instrument according to the Cheking Procedure.

When a fault has been traced and corrected, the voltages and adjustments influenced by the correction must be rechecked. The complete instrument should then be tested to make sure that all basic functions are operative.

The tolerances given in these notes are intended for use as guide for adjustments.

Before correcting any apparent deviation make sure that the measuring instrument has tolerances small enough not to affect the measurement.

Modifications

Due to the constant technical progres the instrument will be modified from time to time in order to provide continuously improved performance.

For this reason there may be small differences between the instrument and the Service Instruction.

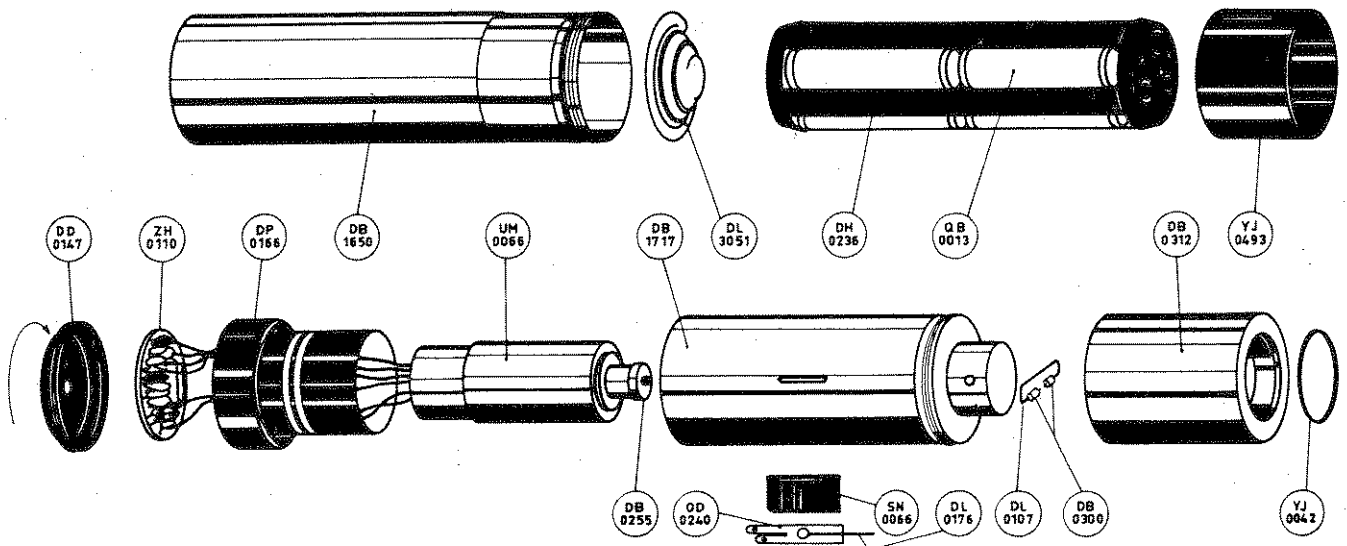
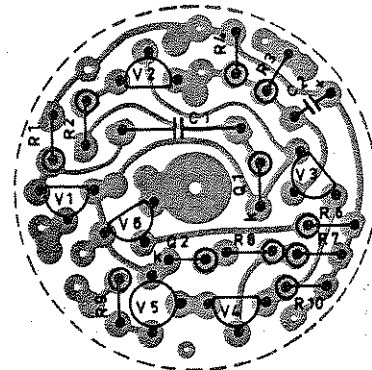
However, the local Representative Service is in possession of all information regarding the modifications that have been made.

Spare Parts

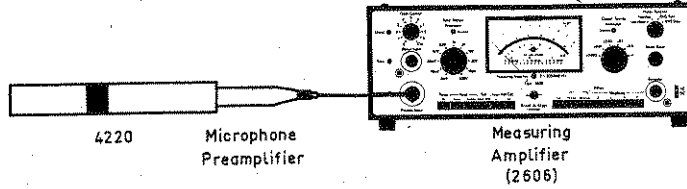
Please state type and serial number of the instrument when ordering spare parts.

| CIRCUIT DIAGRAM REF. | COMPONENT TYPE | | | STOCK REF. |
|----------------------|----------------|---------------|--------------------|------------|
| C 1 | Polycarbonate | | 0,1 μ F/ 100 V | CS 0381 |
| C 2 | Tantalum | | 3,3 μ F/ 16 V | CF 0014 |
| Q 1 | Germ. | OA 90 | 20 V/10 mA | QV 0098 |
| Q 2 | Silicon | BAX 16 | 150 V/0,3 A | QV 0217 |
| R 1,2 | Carbon | 1/4 W | 5% 1 k Ω | RB 3100 |
| R 3 | Metal | - | 1% 54,9 k Ω | RF 4549 |
| R 4 | Carbon | - | 5% 18 k Ω | RB 4180 |
| R 5 | Metal | (250 Hz adj.) | 63-100 k Ω | |
| R 6 | Carbon | - | 5% 1,5 k Ω | RB 3150 |
| R 7 | Metal | - | 1% 11,3 k Ω | RF 4113 |
| R 8 | - | - | 2,05 k Ω | RF 3205 |
| R 9 | - | - | 4,99 Ω | RF 0499 |
| R 10 | Carbon | - | 5% 3,3 k Ω | RB 3330 |
| V 1,2 | Silicon | NPN | BC 182 B | VB 0055 |
| V 3,4 | - | PNP | BC 212 B | VB 0049 |
| V 5 | - | NPN | BCY 59 B | VB 0516 |
| V 6 | - | - | BC 182 B | VB 0055 |

| COMPONENT TYPE | STOCK REF. |
|----------------------------------|------------|
| Anti Roll Ring | DZ 9056 |
| 1/2" Microphone Adaptor | DB 0311 |
| 1/4" Microphone Adaptor | DB 0310 |
| 1/8" Microphone Adaptor | DB 0352 |
| Battery 1,5 V IEC size: AA | QB 0013 |
| Printed Circuit Board | XC 1132 |
| Printed Circuit Board with comp. | ZH 0110 |



Checking Procedure



Check of Sound Pressure Level

The easiest way to check the Pistonphone is to compare its sound pressure by means of another Type 4220 Pistonphone or similar standard calibrator.

If another calibrator is not available use the measuring set up as shown above. Adjust the sensitivity of the measuring amplifier by means of the built in ref. voltage. Fit a 1" microphone (Type 4133) to the Pistonphone and ensure that the microphone is properly seated in the coupler. Switch measuring amplifier as follows:

Meter Function: RMS

Filters: Lin.

Input Section Att.: 3 V

Output Section Att.: x 1 (corresponds "120 dB" on scale SA 0039)

Switch on the Pistonphone and measure the sound pressure: 124 dB \pm 0,2 dB (250 Hz). *See instruction & Application book for correction for ambient pressure, and Microphone Calibration Card for the individual Sensitivity of each Microphone (k-factor).

Check of Battery

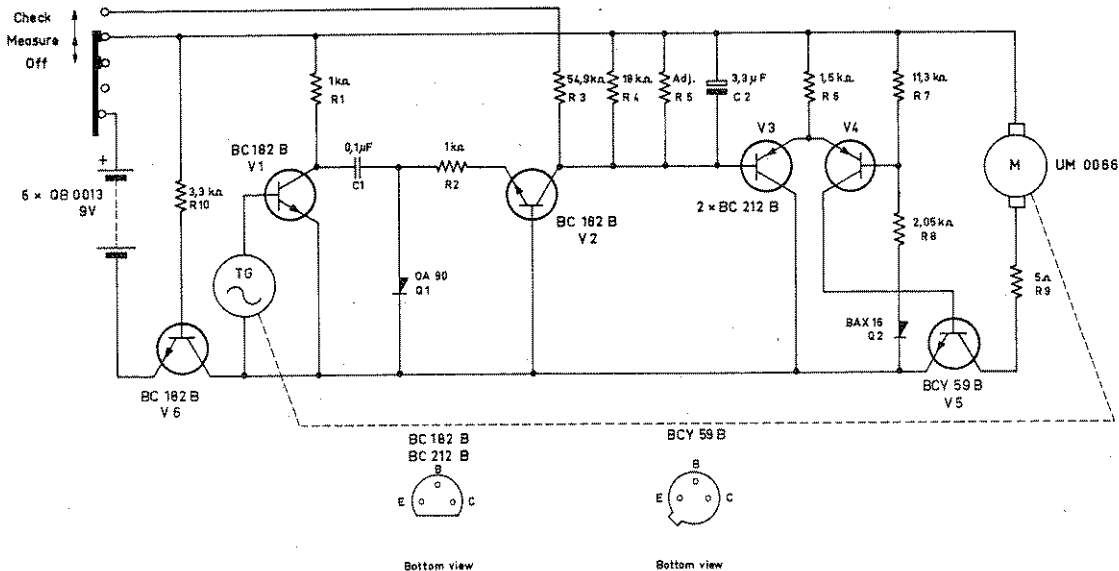
Switch the Pistonphone between the two positions "On" and "Batt". An audible frequency difference for the two, positions indicates that the batteries are in good condition. If no difference is heard or the Pistonphone runs slowly the battery voltage must be checked. Screw off the battery housing and measure the total voltage: 6 — 9 V.

Check of Motor and Control Circuit

Built out the motor unit by removing the retaining spring (DL 0107) and the pistons (DB 0300). Unscrew cover (DD 0147) Take out the motor unit, of the housing, the motor can then gently be pulled 1 — 2 cm out of its socket (DP 0166). The "+" and "-" terminals can be reached for measurement.

Connect the minus terminal of the battery to the terminal of the printed circuit board (ZH 0110) by means of a wire. Measure the voltages from the control circuit on the terminals of the motor as follows:

- Connect plus terminal from battery to lower contact ring on Socket (DP 0166) — which corresponds "On" position of the switch — and measure across the motor approx.: 4,5 V.
- Connect plus terminal to both contact rings — corresponds "Batt." position — and measure approx.: 5,5 V.



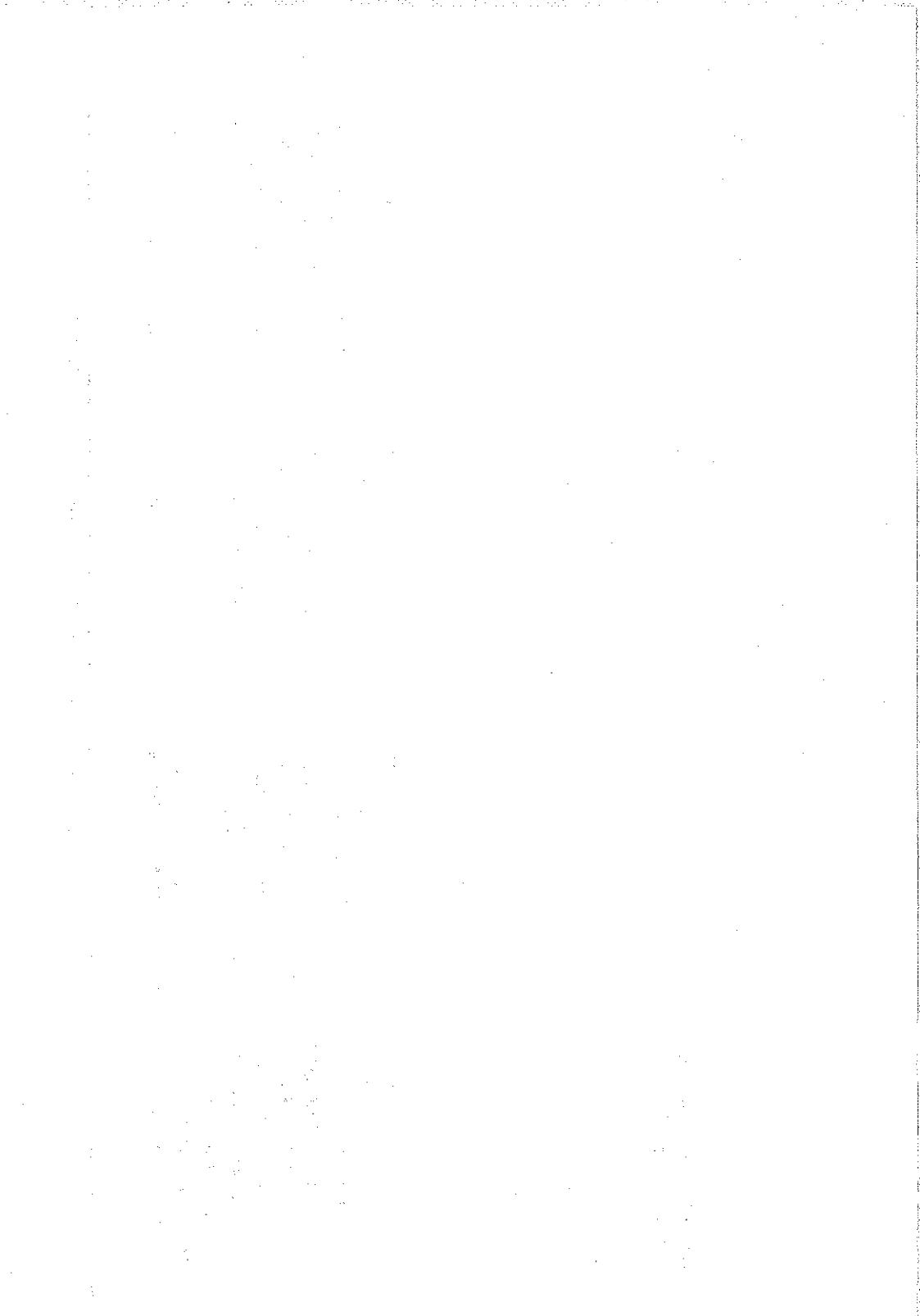
* Instruction & Application, chapter 2.2., Barometer UZ 0001 for Ambient Pressure Correction.

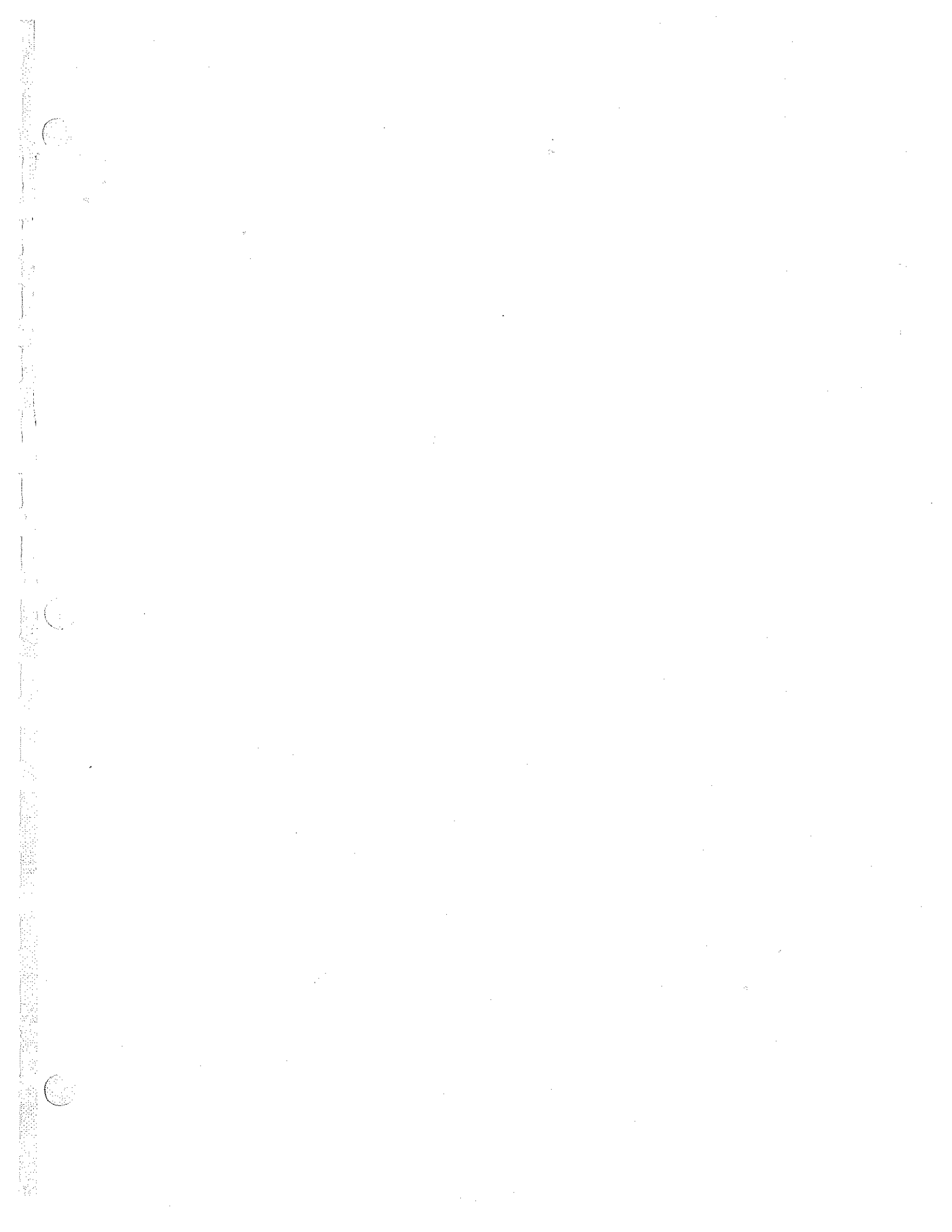
Bruel & Kjaer Denmark DK 2850 Narum. Accessories / Zubehoer / Accessoires / Tilbehoer.

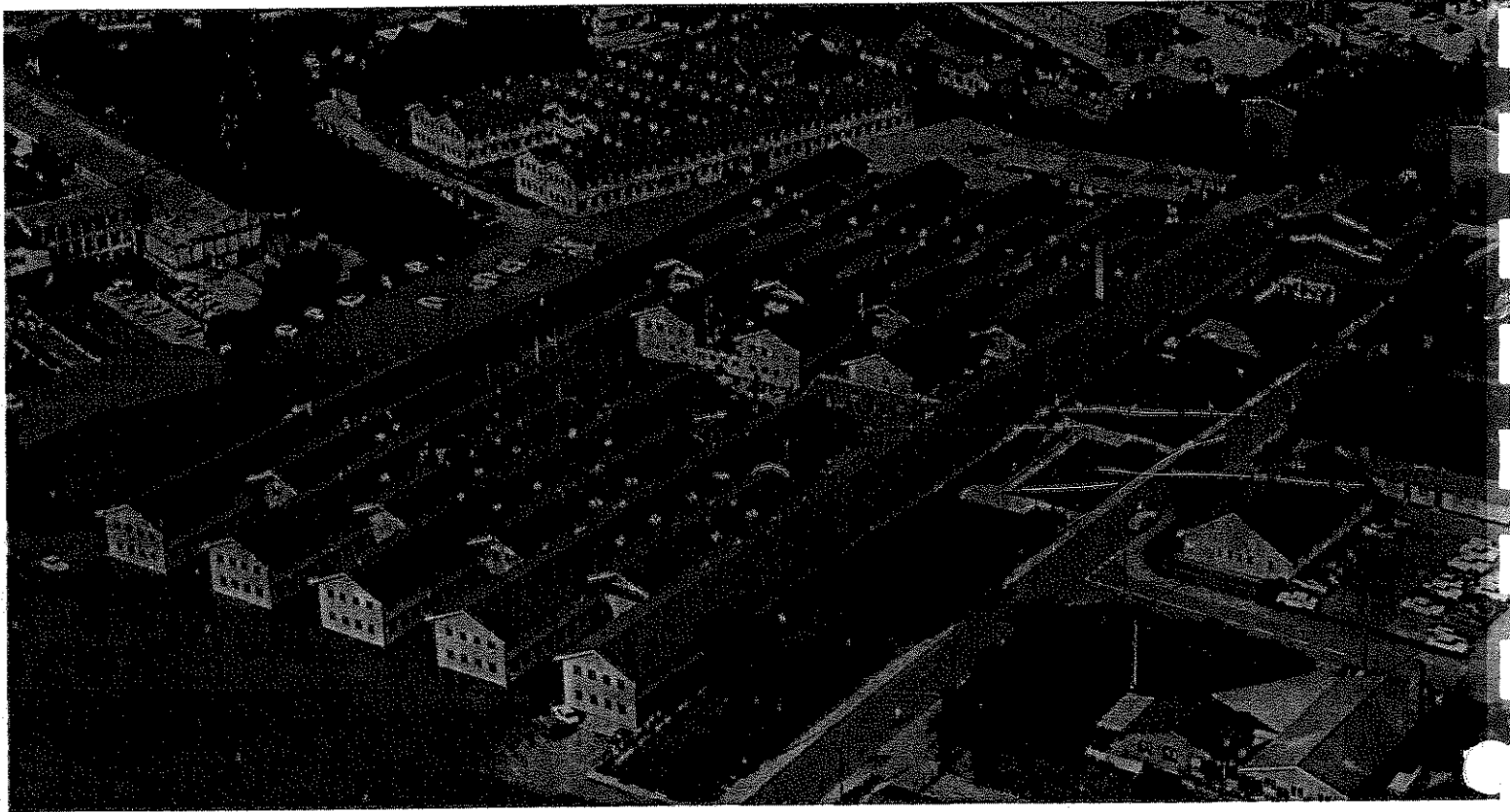
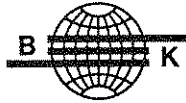
Type 4220.

| | | | | | |
|---|---------|---------------------|--------------------|------------------------|-------------------------|
| 1 | BE o278 | Instruction Manual | Gebrauchsanweisung | Manuel d'Instruction | Brugsvejledning engelsk |
| 1 | BB o626 | | " | " | Brugsvejledning fransk |
| 1 | BE o218 | | " | " | Brugsvejledning tysk |
| 1 | BI o227 | Service Instruction | Service Anleitung | Instruction de service | Servicevejledning |
| 1 | BC o022 | Calibration card | Eichkarte | Carte d'etalonnage | Kalibreringskort |
| 1 | DB o352 | 1/8" Adaptor | 1/8" Zwischenstück | 1/8" Adaptateur | 1/8" Møllestykke |
| 1 | DB o310 | 1/4" Adaptor | 1/4" Zwischenstück | 1/4" Adaptateur | 1/4" Møllestykke |
| 1 | DB o311 | 1/2" Adaptor | 1/2" Zwischenstück | 1/2" Adaptateur | 1/2" Møllestykke |
| 1 | KE 4220 | Case | Schachtel | Boite | Etui |
| 1 | UZ 0001 | Barometer | Barometer | Barometre | Barometer |

| | | | | | |
|---|---------|--|--|--|---------------------------|
| 1 | BE o219 | | | | Brugsvejledning russisk |
| 1 | BI o206 | | | | Servicevejledning russisk |
| | BX 0056 | | | | |







BRÜEL & KJÆR instruments cover the whole field of sound and vibration measurements.
The main groups are:

ACOUSTICAL MEASUREMENTS

Condenser Microphones
Piezoelectric Microphones
Microphone Preamplifiers
Hydrophones
Sound Level Meters
Precision Sound Level Meters
Impulse Sound Level Meters
Noise Dose Meters
Noise Level Analyzers
Standing Wave Apparatus
Calibration Equipment
Reverberation Processors
Sound Sources

ACOUSTICAL RESPONSE TESTING

Sine Generators
Random Noise Generators
Sine-Random Generators
Artificial Voices
Artificial Ears
Artificial Mastoids
Hearing Aid Test Boxes
Audiometer Calibrators
Telephone Measuring Equipment
Audio Reproduction Test Equipment
Tapping Machines
Turntables

VIBRATION MEASUREMENTS

Accelerometers
Force Transducers
Impedance Heads
Accelerometer Preamplifiers
Vibration Meters
Accelerometer Calibrators
Magnetic Transducers
Capacitive Transducers
Complex Modulus Apparatus
Bump Recorders

VIBRATION TESTING

Exciter Controls — Sine
Exciter Controls — Sine — Random
Exciter Equalizers, Random or Shock
Exciters
Power Amplifiers
Programmer Units
Stroboscopes

STRAIN MEASUREMENTS

Strain Gauge Apparatus
Multipoint Selectors

MEASUREMENT AND ANALYSIS

Voltmeters
Phase Meters
Deviation Bridges
Measuring Amplifiers
Band-Pass Filter Sets
Frequency Analyzers
Real Time Analyzers
Heterodyne Filters and Analyzers
Distortion Measuring Equipment
Psophometers
Statistical Distribution Analyzers
Tracking Filters

RECORDING

Level Recorders
Frequency Response Tracers
Tape Recorders
Alphanumeric Printers
Digital Event Recorders

DIGITAL EQUIPMENT

Computers
Tape Punchers
Tape Readers

Brüel & Kjær

DK-2850 NÆRUM, DENMARK · Telephone: + 45 2 80 05 00 · Telex: 37316 bruka dk